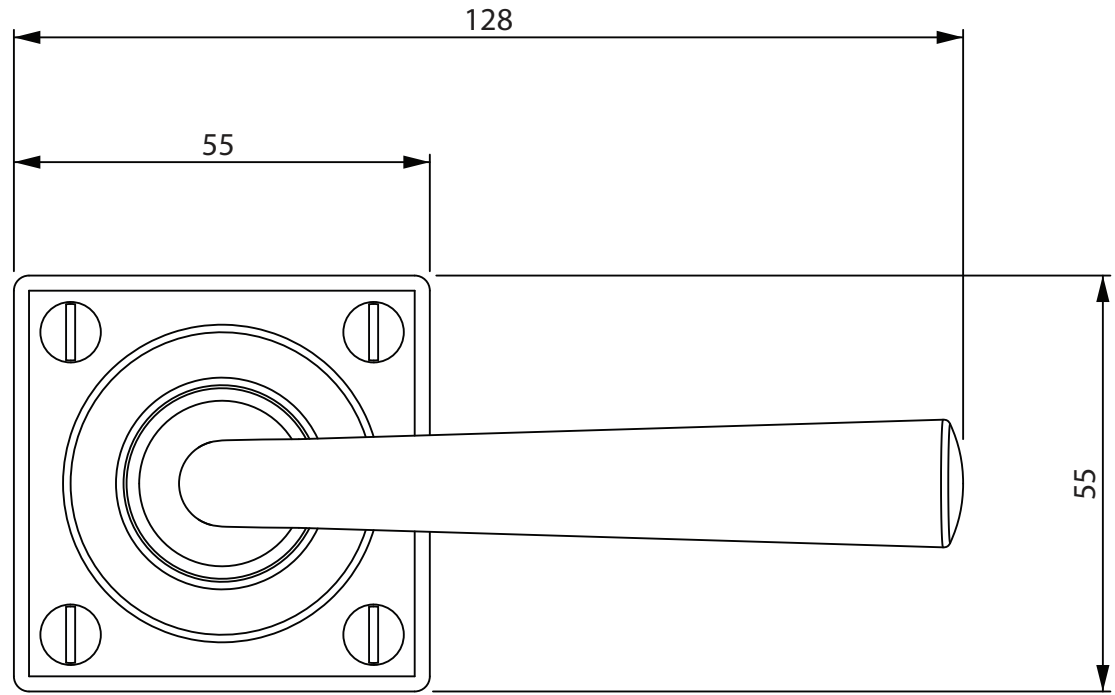
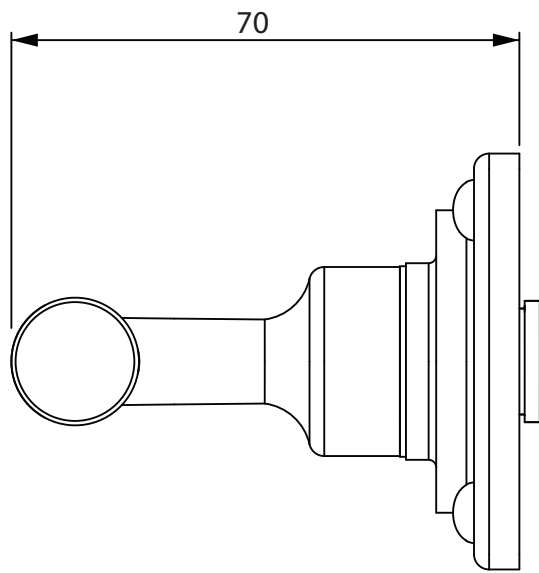


P/N.FB002 & NFS601 **ALL DIMENSIONS IN MM UNLESS STATED**  
 THE CONTENTS OF THIS DRAWING ARE COPYRIGHT AND SHOULD NOT BE REPRODUCED WITHOUT THE PERMISSION OF DJH ENGINEERING



				QTY	
			<b>DESCRIPTION</b>	<b>DRG.</b>	D. Urwin
			Padstow Door Lever - Square Rose	<b>DATE</b>	03/10/18
1	03/10/18		<b>LT REF.</b>	<b>SCALE</b>	N/A
<b>ISSUE</b>	<b>DATE</b>	<b>REVISION</b>	<b>MATL.</b>	<b>CODE</b>	FB002 & NFS601
			H:\Finess & Stonebridge Handle Hardware\Stonebridge-CAD\ Dim Dwgs\SB-L-PAD-002.pdf		
			Forged Steel		