



STONEBRIDGE

HANDFORGED ARCHITECTURAL IRONMONGERY





OUR STORY

At Stonebridge Forge we are experts in the design and manufacture of luxury traditional ironmongery from forged steel. By combining the latest manufacturing technologies with traditional craftsmanship, we are able to produce architectural ironmongery which is not only aesthetically pleasing but also extremely functional and durable, even in the harshest conditions.

Stonebridge offers a wide range of door hardware, window furniture and cupboard handles to cater for applications in all rooms of the home. Choose between our three collections which are unique and innovative in their design to suit all decor schemes - Padstow, Arundel and Curl.

Made from a durable base of steel, the Stonebridge product range is extremely high quality and hard-wearing. All products have been independently tested to BS EN 1670:2007 Grade 5 to achieve exceptional corrosion resistance - making the range an ideal solution for internal, external and coastal applications. Stonebridge products have also been successfully tested with Accoya® and are suitable for use with Accoya® doors and windows.

The Stonebridge product range can be purchased from our worldwide network of distributors. Visit our website at www.stonebridgeforge.com for more information.





OUR FINISHES

The Stonebridge product range has been finished using a unique ARMOR-COAT® process specifically designed to provide maximum corrosion resistance and UV protection. The range is available in two stunning powder coat finishes - Flat Black and Forged Steel. Both finishes are not only aesthetic but also functional and fit for purpose.



FLAT BLACK

The Stonebridge ARMOR-COAT® Flat Black collection offers a stunning black finish with a subtle sheen - perfect for new builds or renovation projects to bring a modern twist to the home. Combine our ARMOR-COAT® Flat Black ironmongery with wooden doors to bring a rustic feel to your home.



FORGED STEEL

New to the range, ARMOR-COAT® Forged Steel offers a textured finish with a blend of silver and black tones. Unlike any finish currently seen on the market, ARMOR-COAT® Forged Steel offers an authentic and rustic look full of character and charm. This finish looks stunning when paired with wooden or painted surfaces.



OUR SHOWROOM

We welcome all visitors to our showroom and factory facilities based in the beautiful countryside of Consett, County Durham. Here you can browse our wide range of architectural ironmongery in situ as well as purchase any products or samples you require. Our friendly and knowledgeable customer service team are also on hand to answer any questions you may have. You can find us using the following address:

DJH Group Ltd, Project House, Villa Real, Consett, County Durham, DH8 6BP

If you are located further afield, our products can also be seen in various architectural ironmongers nationwide. For more information, please visit www.stonebridgeforge.com/distributors.



CONTENTS

Product Category	Page
Lever Handles	9
Padstow	10-11
Arundel	12-13
Curl	14-15
Multipoint Handles	17
Padstow	18-19
Arundel	20-21
Curl	22-23
Door Hardware	25
Cabin Hooks	26
Coat Hooks	26
Hinges	27
Door Stops	28
Push Plates	28
Centre Door Knobs	29
Door Knockers	29
Letter Plates and Tidy's	30
Locks and Latches	33
Tubular Latches	34
Tubular Deadbolts	34
Bathroom Mortice Locks	34
Deadlocks	34-35
Sash Locks	35
Night Latches	35
Euro Cylinders	36
Thumb Latches	36
Thumbturns	37
Escutcheons	38-39
Cylinder Pulls	39
Bolts	40
Window Hardware	43
Espagnolette Handles	44-45
Casement Stays	46-47
Casement Fasteners	48-49
Cupboard Hardware	51
Cabinet Knobs	52
Pull Handles	53-54
Support	56
Product Care & Maintenance	56
Installation Advice	56
Warranty	56

GUIDE TO LEVER HANDLES



ROSE

For modern and contemporary homes, lever handles on rose are a perfect choice due to their elegant and simplistic design. Typically used for internal passage doors, lever handles on rose can also be combined with escutcheons for locking applications or thumbturns for bathrooms. Choose between a round or square rose to provide the all-important finish touch in your home.



BACKPLATE

Lever handles on backplate offer a classic and timeless style with a sleek, rectangular backplate. Perfectly suited to contemporary and traditional interiors, lever handles on backplate are great for covering any unsightly marks from pre-existing fixing holes. Choose between four functions: latch, bathroom, key locking or euro locking.



LEVER HANDLES



PADSTOW



Our popular Padstow collection offers a contemporary design with an elegant round lever, available on rose or backplate. Ideal for both modern and traditional interiors, the Padstow range of sprung lever handles are supplied in pairs with suitable fixings and a solid steel spindle for doors up to 50mm thick*.

Made from forged steel and finished using a unique ARMOR-COAT® process, the Padstow range is a durable choice within the home. The range is suitable for both internal and external use - achieving exceptional corrosion resistance when independently tested to BS EN 1670:2007 Grade 5. ARMOR-COAT® also provides maximum UV protection to maintain the products stunning finish during seasonal changes. Stonebridge products have been specifically engineered with stainless steel components, making it ideal for use with Accoya® doors and windows.

Choose between our two signature finishes - ARMOR-COAT® Flat Black for a modern twist in the home or our new ARMOR-COAT® Forged Steel finish which offers a blend of silver and black tones for an authentic, rustic feel. Pair our Padstow lever handles with our complementary range of window furniture and multipoint handles for a harmonious feel in the home.

10 * For doors up to 90mm thick, please request a longer spindle upon purchasing.

Round Rose

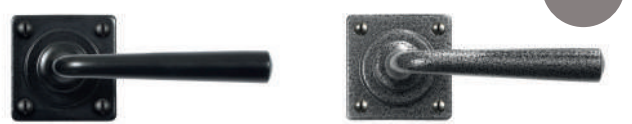
To be installed with a tubular latch (see page 34)



Product Code	Finish	Backplate Diameter (D)	Overall Length (L)	Projection (P)
FB001	Flat Black	60mm	131mm	70mm
NFS600	Forged Steel	60mm	131mm	70mm

Square Rose

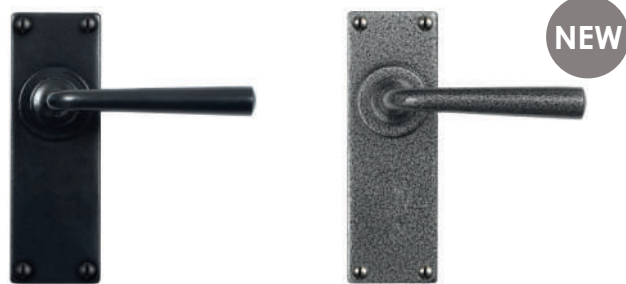
To be installed with a tubular latch (see page 34)



Product Code	Finish	Backplate Size (W x H)	Overall Length (L)	Projection (P)
FB002	Flat Black	55 x 55mm	128mm	70mm
NFS601	Forged Steel	55 x 55mm	128mm	70mm

Latch

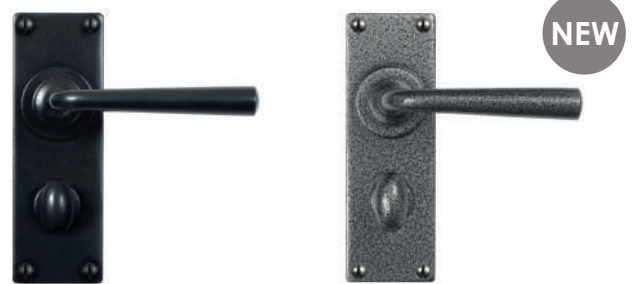
To be installed with a tubular latch (see page 34)



Product Code	Finish	Backplate Size (W x H)	Overall Length (L)	Projection (P)
FB003	Flat Black	50 x 150mm	123mm	70mm
NFS602	Forged Steel	50 x 150mm	123mm	70mm

Bathroom

To be installed with a bathroom mortice lock (see page 34)



Product Code	Finish	Backplate Size (W x H)	Turn Centre (TC)	Overall Length (L)	Projection (P)
FB004/**	Flat Black	50 x 150mm	57mm	123mm	70mm
NFS603/**	Forged Steel	50 x 150mm	57mm	123mm	70mm

** Replace with RH for right hand and LH for left handle. To determine which handing you require, please see page 24.

Lock/Key

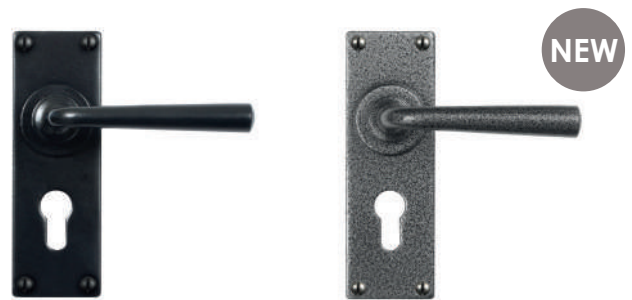
To be installed with a sash lock (see page 35)



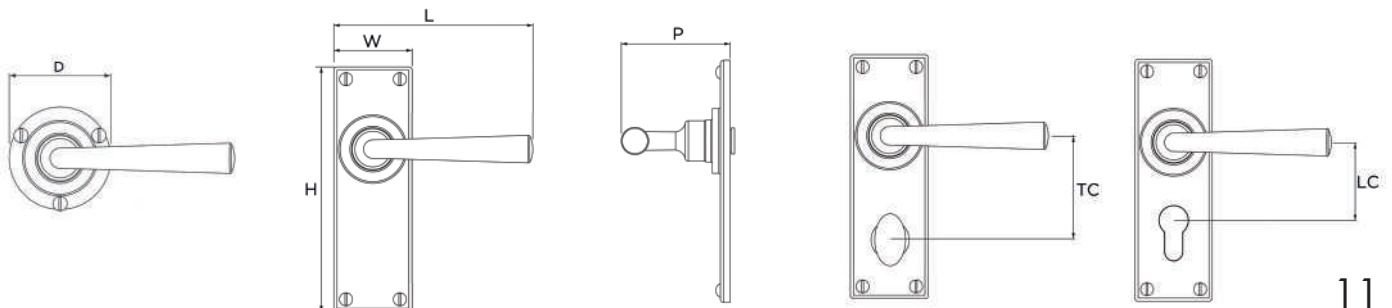
Product Code	Finish	Backplate Size (W x H)	Lock Centre (LC)	Overall Length (L)	Projection (P)
FB005	Flat Black	50 x 150mm	57mm	123mm	70mm
NFS604	Forged Steel	50 x 150mm	57mm	123mm	70mm

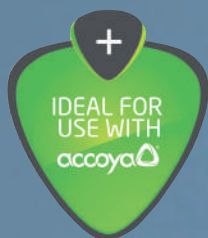
Euro Lock

To be installed with a euro sash lock & euro cylinder (see page 35)



Product Code	Finish	Backplate Size (W x H)	Lock Centre (LC)	Overall Length (L)	Projection (P)
FB009	Flat Black	50 x 150mm	57mm	123mm	70mm
NFS608	Forged Steel	50 x 150mm	57mm	123mm	70mm





ARUNDEL



Featuring an angular lever with a tapered design, the Arundel collection is the perfect choice for modern homes. Available on rose or backplate, the Arundel range of sprung lever handles are supplied in pairs with suitable fixings and a solid steel spindle for doors up to 50mm thick*.

Made from a durable steel base and finished using a unique ARMOR-COAT® process, the Arundel range is extremely robust and hard-wearing. Suitable for both internal and external applications, the Arundel range offers exceptional corrosion resistance - achieving Grade 5 when tested to BS EN 1670:2007. ARMOR-COAT® also provides excellent UV protection to maintain the products finish during seasonal changes. Designed with stainless steel components, Stonebridge products have been approved for use with Accoya® wood.

Opt for our ARMOR-COAT® Flat Black finish with a subtle sheen to bring a modern twist to the home. Due to launch in summer 2023, our new Forged Steel finish offers a textured appearance with a blend of black and silver tones, beautifully contrasting the modern Arundel design with a rustic look. Pair our Arundel lever handles with our complementary range of window furniture and multipoint handles for a harmonious feel in the home.

Round Rose

To be installed with a tubular latch (see page 34)

AVAILABLE
SUMMER
2023



Product Code	Finish	Backplate Diameter (D)	Overall Length (L)	Projection (P)
FB1120	Flat Black	60mm	128mm	70mm
NFS627	Forged Steel	60mm	128mm	70mm

Square Rose

To be installed with a tubular latch (see page 34)

AVAILABLE
SUMMER
2023



Product Code	Finish	Backplate Size (W x H)	Overall Length (L)	Projection (P)
FB1121	Flat Black	55 x 55mm	125mm	70mm
NFS628	Forged Steel	55 x 55mm	125mm	70mm

Latch

To be installed with a tubular latch (see page 34)

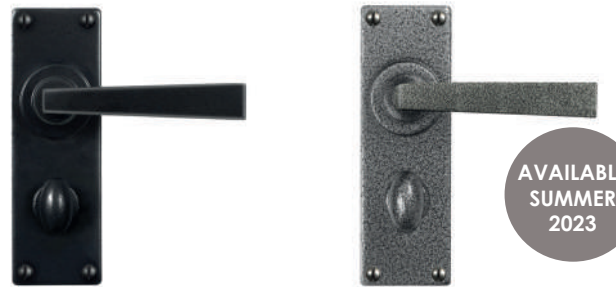


AVAILABLE
SUMMER
2023

Product Code	Finish	Backplate Size (W x H)	Overall Length (L)	Projection (P)
FB1122	Flat Black	50 x 150mm	123mm	70mm
NFS629	Forged Steel	50 x 150mm	123mm	70mm

Bathroom

To be installed with a bathroom mortice lock (see page 34)



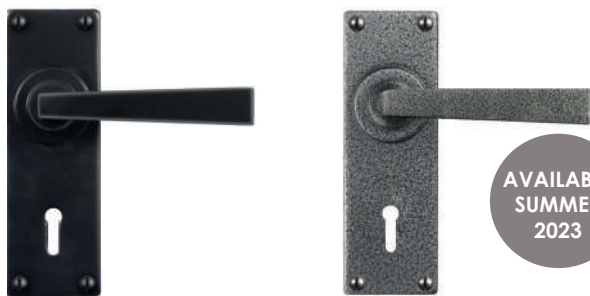
AVAILABLE
SUMMER
2023

Product Code	Finish	Backplate Size (W x H)	Turn Centre (TC)	Overall Length (L)	Projection (P)
FB1123/**	Flat Black	50 x 150mm	57mm	123mm	70mm
NFS630/**	Forged Steel	50 x 150mm	57mm	123mm	70mm

** Replace with RH for right hand and LH for left handle. To determine which handing you require, please see page 24.

Lock/Key

To be installed with a sash lock (see page 35)



AVAILABLE
SUMMER
2023

Product Code	Finish	Backplate Size (W x H)	Lock Centre (LC)	Overall Length (L)	Projection (P)
FB1124	Flat Black	50 x 150mm	57mm	123mm	70mm
NFS631	Forged Steel	50 x 150mm	57mm	123mm	70mm

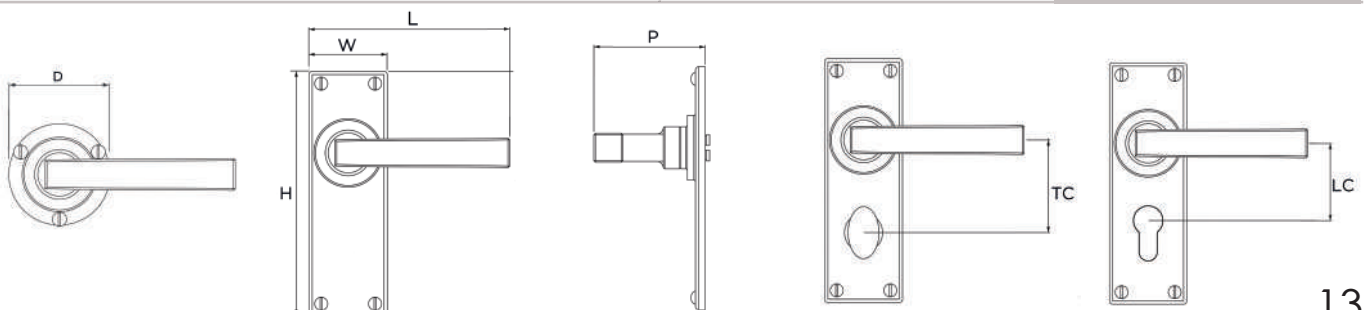
Euro Lock

To be installed with a euro sash lock & euro cylinder (see page 35)



AVAILABLE
SUMMER
2023

Product Code	Finish	Backplate Size (W x H)	Lock Centre (LC)	Overall Length (L)	Projection (P)
FB1129	Flat Black	50 x 150mm	57mm	123mm	70mm
NFS635	Forged Steel	50 x 150mm	57mm	123mm	70mm





CURL

The Curl collection has been designed with a gentle curled lever and is the perfect choice for traditional homes or period properties. Available on rose or backplate, the Curl range of sprung lever handles are supplied in pairs with suitable fixings and a solid steel spindle for doors up to 50mm thick*.

Made from forged steel and finished using a unique ARMOR-COAT® process, the Curl range has been designed to withstand the harshest environments. Suitable for both internal and external applications, the Curl range offers exceptional corrosion resistance - achieving Grade 5 when tested to BS EN 1670:2007. ARMOR-COAT® also provides excellent UV protection to maintain the products stunning finish during seasonal changes. Designed with stainless steel components, Stonebridge products have been tested and proven suitable for use with Accoya® wood.

Opt for our ARMOR-COAT® Flat Black finish to introduce a modern twist to the home. Due to launch in summer 2023, our new ARMOR-COAT® Forged Steel finish offers a stunning blend of black and silver tones to create a textured appearance with authentic qualities. Pair our Curl lever handles with our complementary range of window furniture and multipoint handles for a harmonious feel in the home.

14 * For doors up to 90mm thick, please request a longer spindle upon purchasing.

Round Rose

To be installed with a tubular latch (see page 34)

AVAILABLE
SUMMER
2023



Product Code	Finish	Backplate Diameter (D)	Overall Length (L)	Projection (P)
FB1068	Flat Black	60mm	134mm	59mm
NFS1055	Forged Steel	60mm	134mm	59mm

Square Rose

To be installed with a tubular latch (see page 34)

AVAILABLE
SUMMER
2023



Product Code	Finish	Backplate Size (W x H)	Overall Length (L)	Projection (P)
FB1069	Flat Black	60 x 60mm	132mm	59mm
NFS1056	Forged Steel	60 x 60mm	132mm	59mm

Latch

To be installed with a tubular latch (see page 34)

AVAILABLE
SUMMER
2023



Product Code	Finish	Backplate Size (W x H)	Overall Length (L)	Projection (P)
FB1070	Flat Black	50 x 150mm	129mm	59mm
NFS1057	Forged Steel	50 x 150mm	129mm	59mm

Bathroom

To be installed with a bathroom mortice lock (see page 34)

AVAILABLE
SUMMER
2023



Product Code	Finish	Backplate Size (W x H)	Turn Centre (TC)	Overall Length (L)	Projection (P)
FB1071/**	Flat Black	50 x 150mm	57mm	129mm	59mm
NFS1058/**	Forged Steel	50 x 150mm	57mm	129mm	59mm

** Replace with RH for right hand locking and LH for left handle locking. To determine which handing you require, please see page 24.

Lock/Key

To be installed with a sash lock (see page 35)

AVAILABLE
SUMMER
2023



Product Code	Finish	Backplate Size (W x H)	Lock Centre (LC)	Overall Length (L)	Projection (P)
FB1072	Flat Black	50 x 150mm	57mm	129mm	59mm
NFS1059	Forged Steel	50 x 150mm	57mm	129mm	59mm

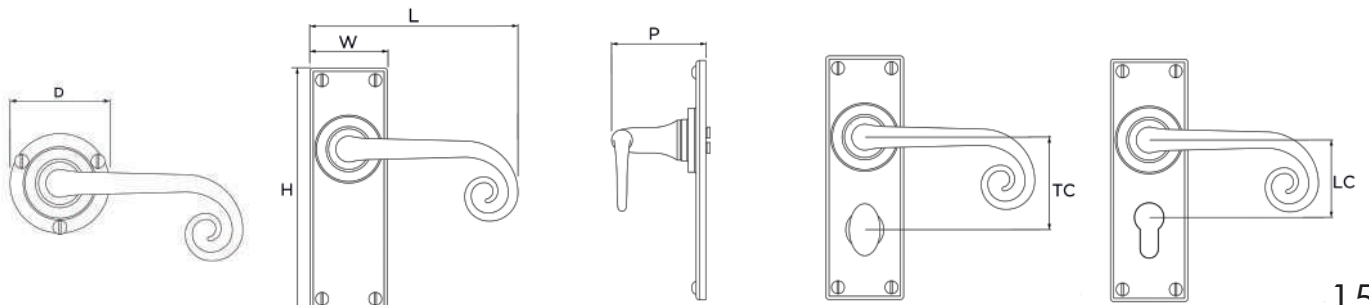
Euro Lock

To be installed with a euro sash lock & euro cylinder (see page 35)

AVAILABLE
SUMMER
2023



Product Code	Finish	Backplate Size (W x H)	Lock Centre (LC)	Overall Length (L)	Projection (P)
FB1076	Flat Black	50 x 150mm	57mm	129mm	59mm
NFS1063	Forged Steel	50 x 150mm	57mm	129mm	59mm



GUIDE TO MULTIPOINT HANDLES



ENTRY

Designed with a euro lock profile on both backplates, entry multipoint handles are suited to applications where locking is required from both sides of the doors. Choose between sprung and unsprung variants.



PATIO

Patio multipoint handles are used in applications whereby locking is only required on the internal side of the door, increasing security in the home. Stonebridge patio multipoint handles are unsprung.



PASSAGE

Passage multipoint handles feature two blank backplates without the ability to lock. This type of handle is typically used in bi-parting patio door applications whereby one door is to be used as a passage door and does not require locking. Stonebridge patio multipoint handles are unsprung.

SPRUNG VS UNSPRUNG HANDLES

Sprung multipoint handles are designed with a spring cassette in the rear of the handle which has enough tension to return the handle to its original position after use. Therefore, sprung multipoint handles can be used with any quality locking system.

Unsprung multipoint handles are designed without a spring cassette and should be installed with a locking system which has enough tension to return the handle to its original position.

The visible difference between Stonebridge sprung and unsprung multipoint handles is the dimensions of the backplate. A sprung multipoint backplate measures 240mm x 32mm x 12mm and an unsprung backplate is 250mm x 35mm x 7.5mm.

Product shown: FB1073 Curl Flat Black Multipoint Handle



MULTIPOINT HANDLES



PADSTOW

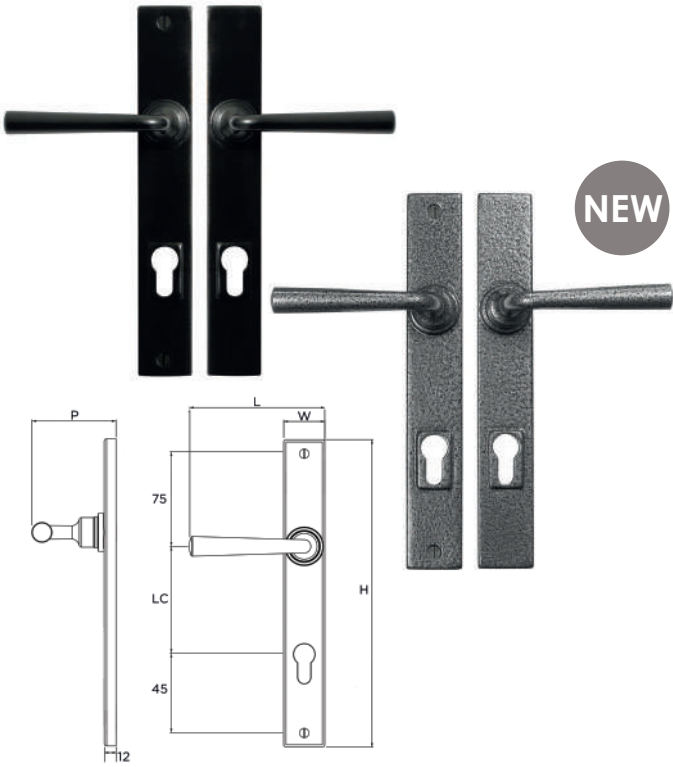


The Padstow collection of multipoint handles offers an elegant design with a round lever and slim backplate. Suitable for use with wooden and uPVC doors, our multipoint handles are supplied with stainless steel fixings and a spindle to cater for doors up to 90mm thick. Our multipoint handles are designed for use with a multipoint locking system (not supplied by Stonebridge - please speak to your joiner).

Made from forged steel, the Stonebridge product range is extremely durable and robust. Finished using a unique ARMOR-COAT® process, Padstow multipoint handles have been tested to BS EN 1670:2007 Grade 5 to offer exceptional corrosion resistance, as well as UV protection in both internal and external applications. Stonebridge products have also been tested and approved for use with Accoya® wood.

Our popular ARMOR-COAT® Flat Black finish brings a touch of elegance to the home with a stunning black coating and subtle sheen. New to the range, our ARMOR-COAT® Forged Steel finish offers a blend of black and silver tones to create a stunning textured finish with rustic qualities. Pair our range of Padstow multipoint handles with our complementary range of window furniture and door hardware.

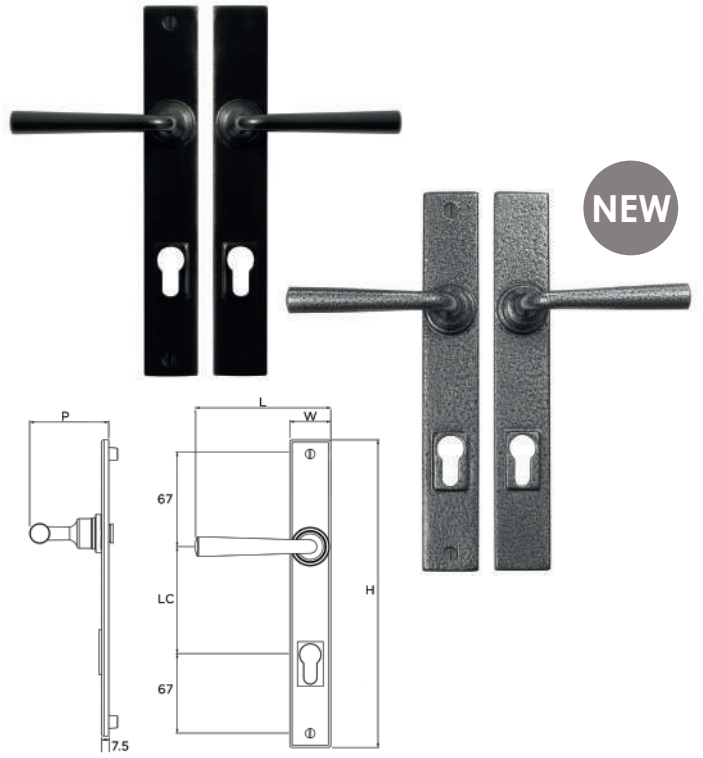
Entry - Sprung



NEW

Product Code	Finish	Backplate Size (W x H)	Overall Length (L)	Lock Centre (LC)	Projection (P)
FB1306	Flat Black	32 x 240mm	117mm	92mm	73mm
NFS1106	Forged Steel	32 x 240mm	117mm	92mm	73mm

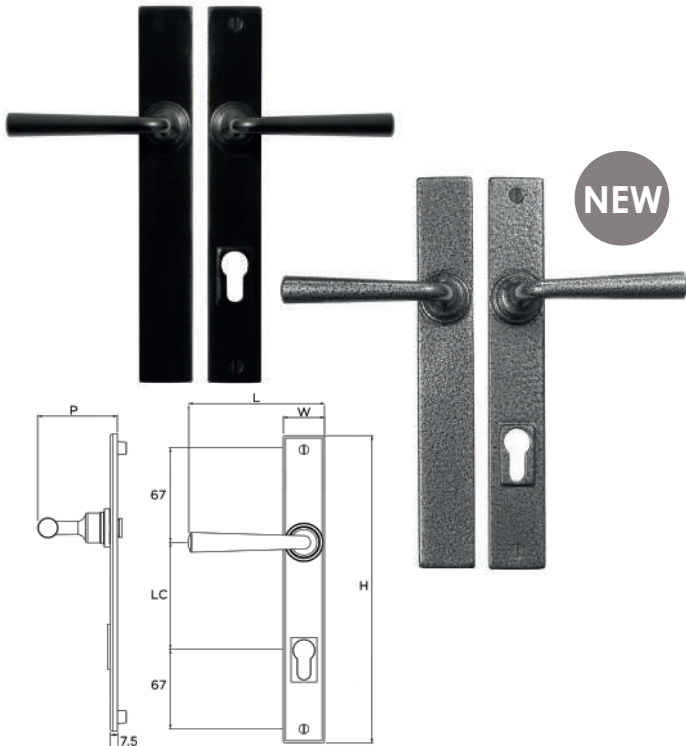
Entry - Unsprung



NEW

Product Code	Finish	Backplate Size (W x H)	Overall Length (L)	Lock Centre (LC)	Projection (P)
FB006	Flat Black	35 x 250mm	120mm	92mm	68mm
NFS605	Forged Steel	35 x 250mm	120mm	92mm	68mm

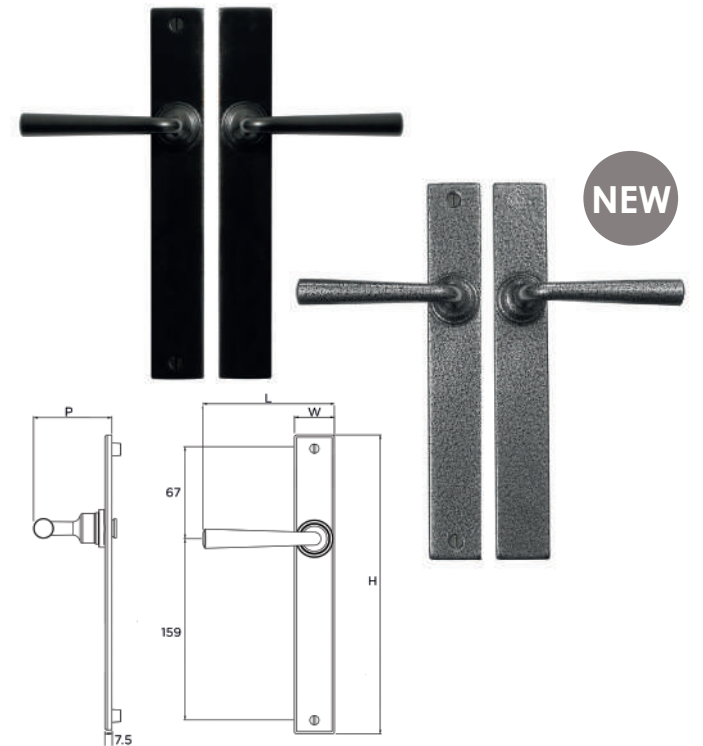
Patio - Unsprung



NEW

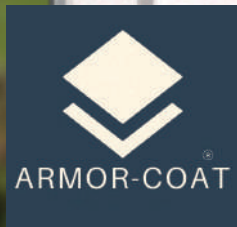
Product Code	Finish	Backplate Size (W x H)	Overall Length (L)	Lock Centre (LC)	Projection (P)
FB1066	Flat Black	35 x 250mm	120mm	92mm	68mm
NFS606	Forged Steel	35 x 250mm	120mm	92mm	68mm

Passage - Unsprung



NEW

Product Code	Finish	Backplate Size (W x H)	Overall Length (L)	Projection (P)
FB1067	Flat Black	35 x 250mm	120mm	68mm
NFS607	Forged Steel	35 x 250mm	120mm	68mm



ARUNDEL

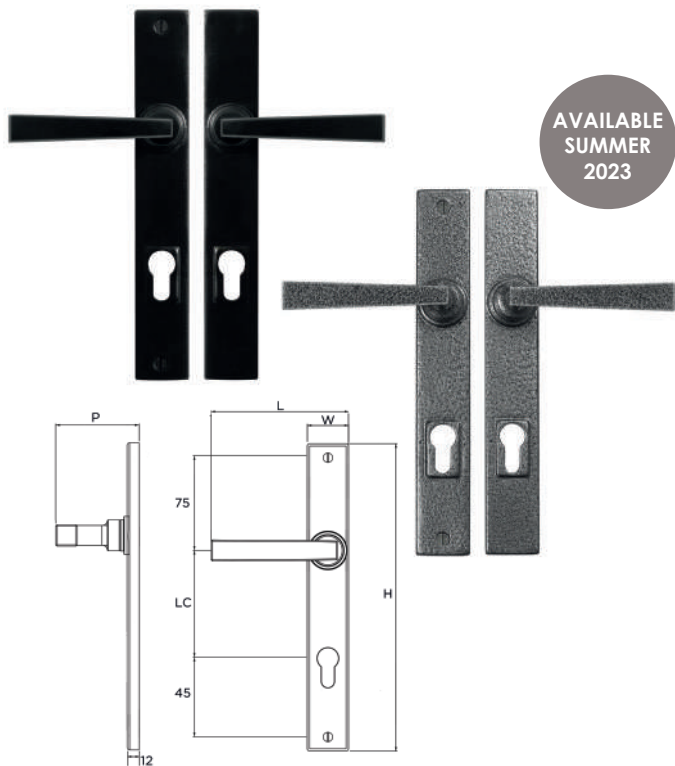


The Arundel range by Stonebridge brings a modern twist to traditional ironmongery with an angular, tapered lever. Arundel multipoint handles are supplied in pairs with suitable fixings and a solid steel spindle to cater for doors up to 90mm thick. Our multipoint handles are designed for use with a multipoint locking system (not supplied by Stonebridge - please speak to your joiner).

Made from forged steel and finished using a unique ARMOR-COAT® process, Arundel is extremely hardwearing. The product has been tested to BS EN 1670:2007 Grade 5 to offer exceptional corrosion resistance, as well as UV protection. The range has also been independently tested and approved for use with Accoya® wood.

The Arundel range is available in two stunning finishes - Flat Black and Forged Steel. Flat Black offers an elegant yet sophisticated feel to bring a modern style to traditional homes. Due to launch in summer 2023, Forged Steel has been designed using a blend of black and silver tones to offer a rustic, authentic feel. Match Arundel multipoint handles with our complementary range of door handles and window furniture to introduce a consistent feel throughout the home.

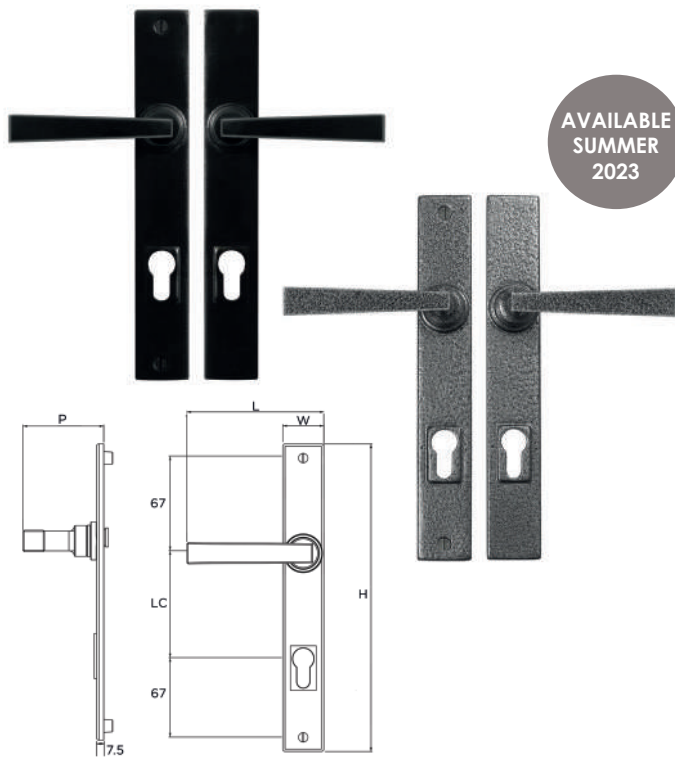
Entry - Sprung



AVAILABLE
SUMMER
2023

Product Code	Finish	Backplate Size (W x H)	Overall Length (L)	Lock Centre (LC)	Projection (P)
FB1126	Flat Black	32 x 240mm	116mm	92mm	77mm
NFS1108	Forged Steel	32 x 240mm	116mm	92mm	77mm

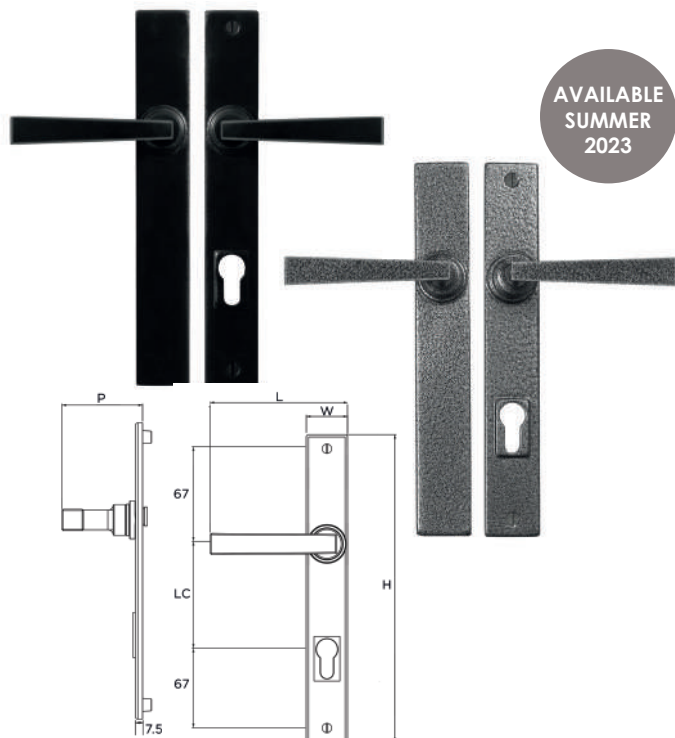
Entry - Unsprung



AVAILABLE
SUMMER
2023

Product Code	Finish	Backplate Size (W x H)	Overall Length (L)	Lock Centre (LC)	Projection (P)
FB1125	Flat Black	35 x 250mm	115mm	92mm	70mm
NFS632	Forged Steel	35 x 250mm	115mm	92mm	70mm

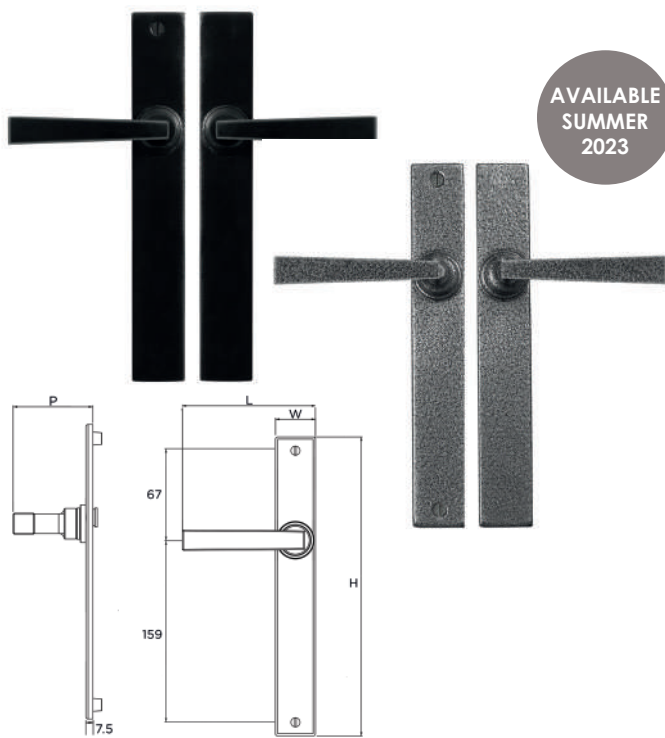
Patio - Unsprung



AVAILABLE
SUMMER
2023

Product Code	Finish	Backplate Size (W x H)	Overall Length (L)	Lock Centre (LC)	Projection (P)
FB1127	Flat Black	35 x 250mm	115mm	92mm	70mm
NFS633	Forged Steel	35 x 250mm	115mm	92mm	70mm

Passage - Unsprung



AVAILABLE
SUMMER
2023

Product Code	Finish	Backplate Size (W x H)	Overall Length (L)	Projection (P)
FB1128	Flat Black	35 x 250mm	115mm	70mm
NFS634	Forged Steel	35 x 250mm	115mm	70mm



CURL

Ideal for period properties and traditional homes, the Curl range of multipoint handles by Stonebridge offers a traditional style featuring a delicate curled lever. The Curl range of multipoint handles are supplied in pairs with suitable fixings and a 130mm spindle to cater for doors up to 90mm thick. Our multipoint handles are designed for use with a multipoint locking system (not supplied by Stonebridge - please speak to your joiner).

Finished using a unique ARMOR-COAT® process, the Curl collection offers exceptional corrosion resistance and UV protection. The range has also been successfully tested for use with Accoya® wood. Choose between two stunning finishes to introduce Curl into your home - Flat Black and Forged Steel. Flat Black is the perfect way to bring a modern twist into the home. Due to launch summer 2023, our new Forged Steel finish combines black and silver tones to create a textured appearance with a rustic feel.

Due to the products curled lever design, you must specify the handing of the multipoint handle upon purchasing to ensure any fixings are installed to the internal face of the door, increasing security. To determine which handing you require see page 24.

Entry - Sprung



Product Code	Finish	Backplate Size (W x H)	Overall Length (L)	Lock Centre (LC)	Projection (P)
FB1050**	Flat Black	32 x 240mm	125mm	92mm	74mm
NFS1066**	Forged Steel	32 x 240mm	125mm	92mm	74mm

** Replace with RH for right hand and LH for left hand. To determine which handing you require, please see page 24.

Entry - Unsprung



Product Code	Finish	Backplate Size (W x H)	Overall Length (L)	Lock Centre (LC)	Projection (P)
FB1073**	Flat Black	35 x 250mm	123mm	92mm	58mm
NFS1060**	Forged Steel	35 x 250mm	123mm	92mm	58mm

** Replace with RH for right hand and LH for left hand. To determine which handing you require, please see page 24.

Patio - Unsprung



Product Code	Finish	Back-plate Size (W x H)	Overall Length (L)	Lock Centre (LC)	Projection (P)
FB1074**	Flat Black	35 x 250mm	123mm	92mm	58mm
NFS1061**	Forged Steel	35 x 250mm	123mm	92mm	58mm

** Replace with RH for right hand and LH for left hand. To determine which handing you require, please see page 24.

Passage - Unsprung



Product Code	Finish	Backplate Size (W x H)	Overall Length (L)	Projection (P)
FB1075**	Flat Black	35 x 250mm	123mm	58mm
NFS1062**	Forged Steel	35 x 250mm	123mm	58mm

** Replace with RH for right hand and LH for left hand. To determine which handing you require, please see page 24.

LEFT HAND VS RIGHT HAND DOOR HANDLES

When purchasing Stonebridge lever handles or multipoint handles, you may be asked whether you require a left handed or right handed handle. To ensure you purchase the correct handle for your application, please follow our guide below to identify your door orientation.

LEVER HANDLES

For **bathroom lever handles**, we require you to state the handing to ensure the thumbturn is located on the internal side of the bathroom. If the side of door fitted with the thumbturn is hinged to the right, you require a right handed handle. If the door is hinged to the left, you require a left handed handle.



MULTIPOINT HANDLES

For our range of **Curl multipoint handles**, we require the handing of the handle due to the products asymmetrical design and to ensure the fixings are installed to the internal face of the door, increasing security. If the external face of the door is hinged to the right, you require a right handed handle. If the door is hinged to the left, you require a left handed handle.



DOOR HARDWARE

CABIN HOOKS

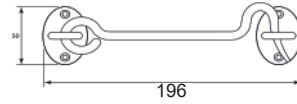
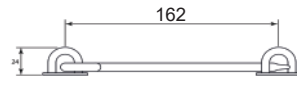
Designed with a hook and eye latch to securely hold doors or windows open. Supplied with 25mm fixings.



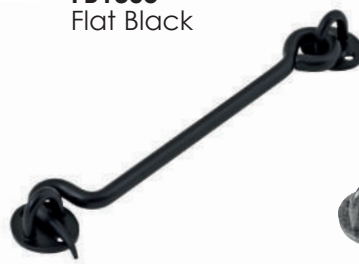
FB1304
Flat Black



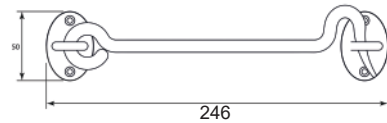
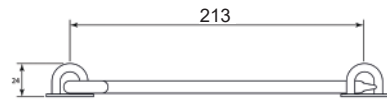
NFS1103
Forged Steel



FB1305
Flat Black



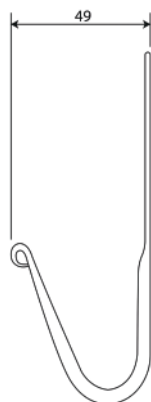
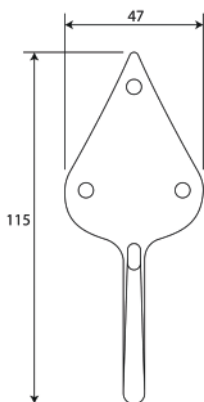
NFS1104
Forged Steel



FB117
Flat Black



NFS721
Forged Steel



COAT HOOKS

Ideal to bring a traditional style to hallways and boot rooms. Supplied with 25mm fixings.



PENNY END HINGES

Typically used on ledge and brace doors or garden gates. Supplied individually with 25mm fixings.

6" Hinge

Overall Length: 152mm
Hinge Arm Length: 113mm
Fixing Plate: 15mm x 105mm

FB131
Flat Black



NFS731
Forged Steel



NEW

12" Hinge

Overall Length: 305mm
Hinge Arm Length: 255mm
Fixing Plate: 25mm x 115mm

FB132
Flat Black



NFS732
Forged Steel



NEW

15" Hinge

Overall Length: 381mm
Hinge Arm Length: 330mm
Fixing Plate: 25mm x 125mm

FB133
Flat Black



NFS1203
Forged Steel



NEW

18" Hinge

Overall Length: 457mm
Hinge Arm Length: 425mm
Fixing Plate: 25mm x 125mm

FB134
Flat Black



NFS734
Forged Steel



NEW



DOOR STOPS

Wall mounted and floor mounted door stops designed with a rubber buffer to prevent damage to walls and doors. Supplied with 25mm fixings.



Wall Mounted Door Stops

Overall Length: 80mm
Base Diameter: 28mm

FB1142
Flat Black



NFS1205
Forged Steel



NEW

Overall Length: 67mm
Base Diameter: 50mm

FB1143
Flat Black



NFS1206
Forged Steel



NEW

Floor Mounted Door Stop

Overall Length: 65mm
Height: 80mm
Base Diameter: 50mm

FB1144
Flat Black



NFS1207
Forged Steel



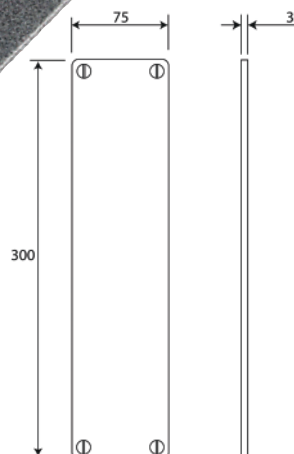
NEW

FB1089
Flat Black



NEW

NFS707
Forged Steel



PUSH PLATES

Typically installed above a lever handle in high traffic areas to prevent finger marks. Supplied with 25mm fixings.



CENTRE DOOR KNOBS

Decorative accessory for wooden doors to enable the door to be pulled closed. Supplied with suitable fixings for doors up to 40mm thick.



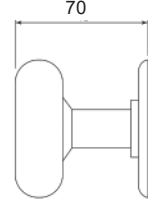
Stroud

FB1087
Flat Black



NFS702
Forged Steel

NEW



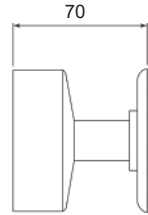
Taunton

FB1088
Flat Black



NFS703
Forged Steel

NEW

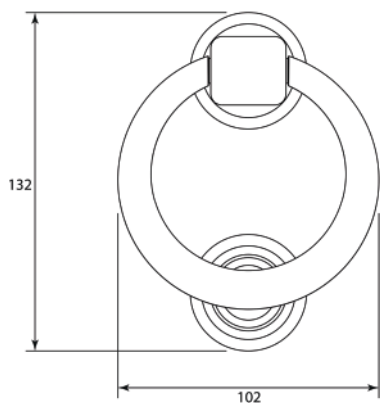


FB1084
Flat Black



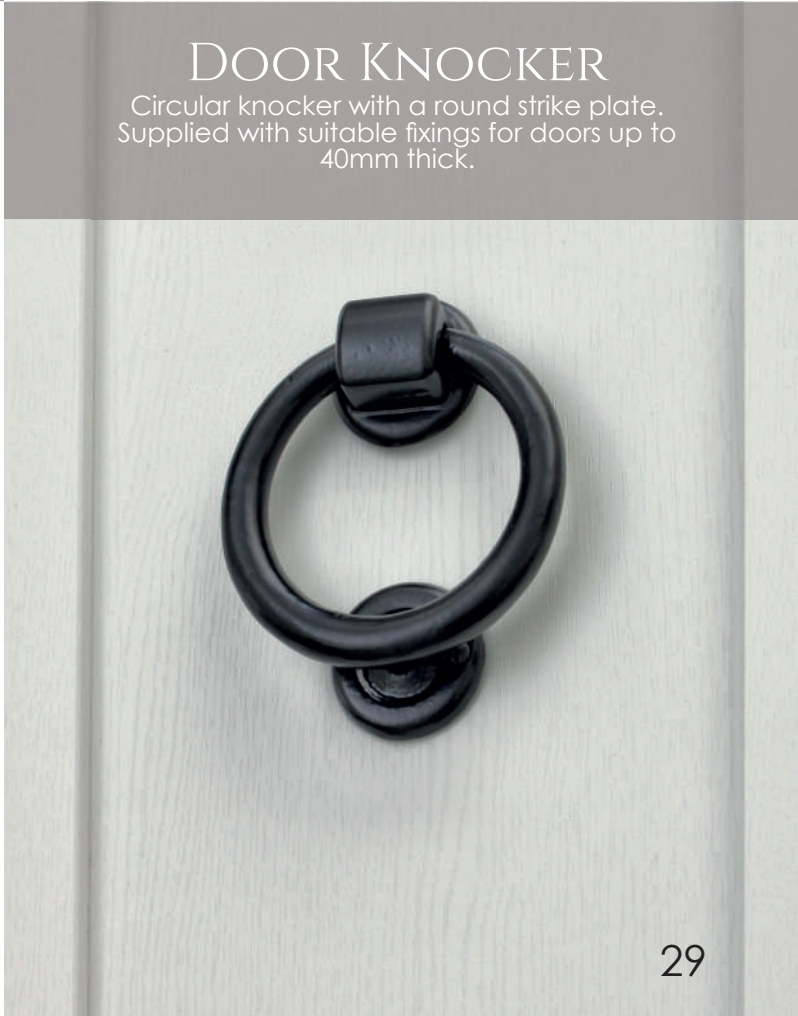
NFS706
Forged Steel

NEW



DOOR KNOCKER

Circular knocker with a round strike plate. Supplied with suitable fixings for doors up to 40mm thick.



LETTER PLATES

Contemporary letter plate for wooden doors.
Supplied with 25mm fixings.

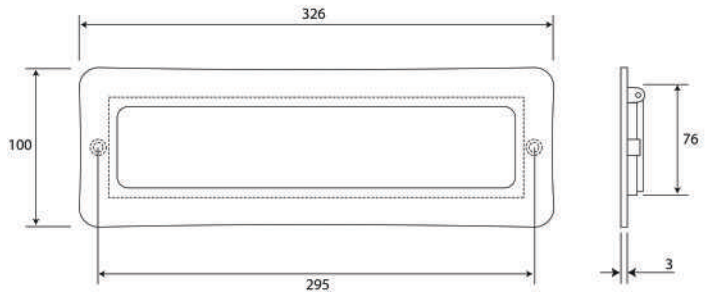


FB1085
Flat Black

NEW



NFS704
Forged Steel

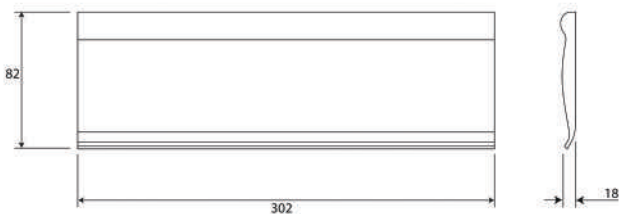


FB1086
Flat Black



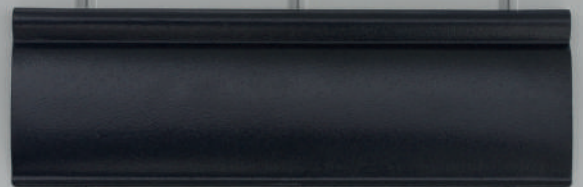
NEW

NFS705
Forged Steel



LETTER TIDY

Contemporary letter tidy for wooden doors.
Supplied with 25mm fixings.



Product shown: FB1085 Flat Black Letter Plate and FB1087 Flat Black Stroud Centre Door Knob



GUIDE TO LOCKS & LATCHES

There are two measurements which are typically used to specify locks and latches – lock size and backset:

- **Lock Size** - This is the dimension of the lock/latch case which is installed into the door. This measurement is particularly important for glazed doors to ensure the lock case does not interfere with the glass within the door. Locks and latches are typically supplied in three sizes – 64mm / 2.5", 76mm / 3" and 102mm / 4".
- **Backset** - This is the measurement from the edge of the door to the centre of the spindle. This dimension will determine where the lever handle will be installed on the door. This measurement is important for panelled doors where the door furniture should be installed in the centre of the style. Locks and latches are typically available in three backset sizes - 44mm, 56mm and 83mm.

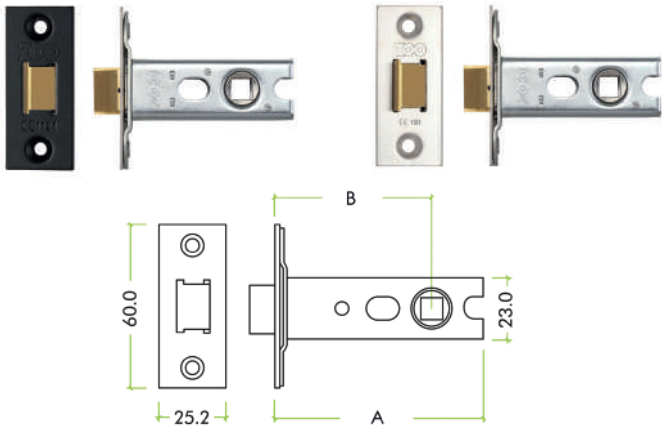
If you are unsure which backset/lock size you require, please contact your joiner.



LOCKS & LATCHES

Tubular Latches

Suitable for use with latch lever handles on rose or backplate. Supplied with a latch, cover plate and strike plate.

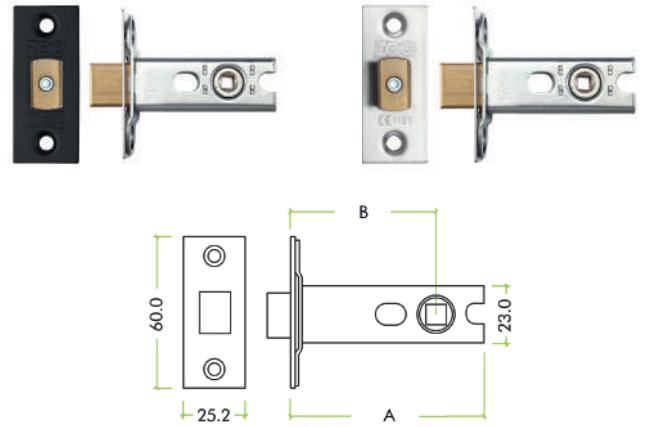


Product Code	Finish	Latch Size (A)	Back Set (B)
TL1	Black	64mm	44mm
TL2	Black	76mm	56mm
TL3*	Black	76mm	56mm
TL4	Black	102mm	83mm
TL5	Satin	64mm	44mm
TL6	Satin	76mm	56mm
TL7*	Satin	76mm	56mm
TL8	Satin	102mm	83mm

* Heavy Duty - Suitable for use with unsprung lever handles.

Tubular Deadbolt

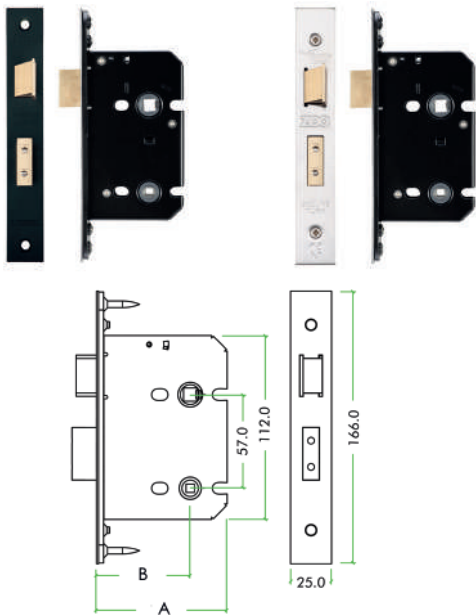
Suitable for use with thumbturn privacy locks. Supplied with a lock body, cover plate and strike plate.



Product Code	Finish	Latch Size (A)	Back Set (B)
TD1	Black	64mm	44mm
TD2	Black	76mm	56mm
TD3	Satin	64mm	44mm
TD4	Satin	76mm	56mm

Bathroom Mortise Lock

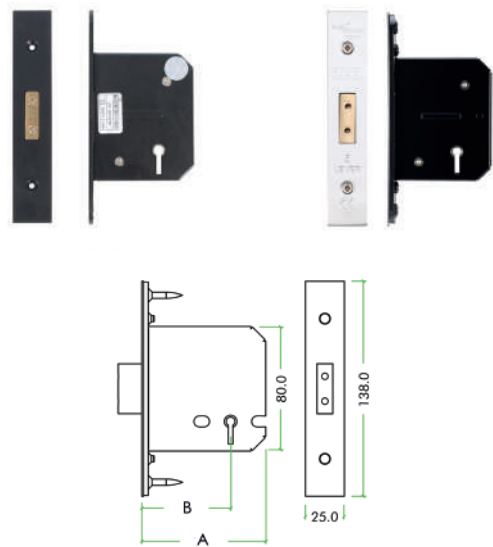
Suitable for use with bathroom lever handles with an integrated thumbturn. Supplied with a lock body, cover plate and strike plate.



Product Code	Finish	Latch Size (A)	Back Set (B)
BML1	Black	64mm	44mm
BML2	Black	76mm	56mm
BML3	Satin	64mm	44mm
BML4	Satin	76mm	56mm

Keyed Deadlock

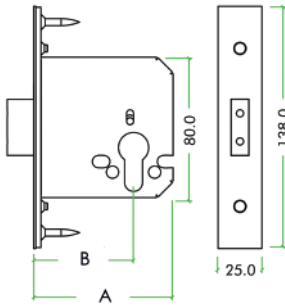
5 lever deadlock supplied with a lock body, cover plate, strike plate and 2 skeleton keys. Typically installed with a keyed escutcheon.



Product Code	Finish	Latch Size (A)	Back Set (B)
DB1	Black	67mm	44mm
DB2	Black	80mm	56mm
DB3	Satin	67mm	44mm
DB4	Satin	80mm	56mm

Euro Deadlock

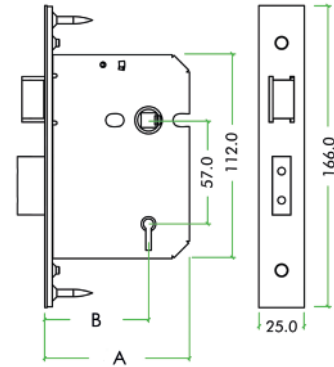
Suitable for euro locking applications. Supplied with a lock body, cover plate and strike plate. Typically installed with a euro escutcheon and euro cylinder.



Product Code	Finish	Latch Size (A)	Back Set (B)
ED3	Black	67mm	44mm
ED4	Black	80mm	57mm
ED5	Satin	67mm	44mm
ED6	Satin	80mm	57mm

Sash Lock

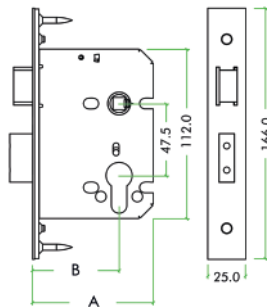
5 lever sash lock suitable for use with lock/key lever handles. Supplied with a lock body, cover plate, strike plate and 2 skeleton keys.



Product Code	Finish	Latch Size (A)	Back Set (B)
SL1	Black	67mm	44mm
SL2	Black	80mm	57mm
SL3	Satin	67mm	44mm
SL4	Satin	80mm	57mm

Euro Sash Lock

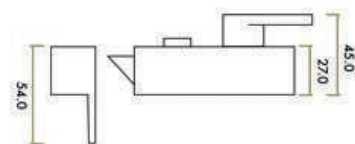
Suitable for use with euro lock lever handles. Supplied with a lock body, cover plate and strike plate. To be installed with a euro cylinder.



Product Code	Finish	Latch Size (A)	Back Set (B)
ESL1	Black	67mm	44mm
ESL2	Black	80mm	57mm
ESL3	Satin	67mm	44mm
ESL4	Satin	80mm	57mm

Night Latch

Non-deadlocking night latch. Supplied with a 5 pin rim cylinder and 3 keys. Suitable for wooden doors between 35-55mm thick.



Product Code	Finish	Backset
NL1	Black	60mm

Double Euro Cylinder

Suitable for use in euro locking applications whereby locking is required from both sides of the door. Designed with anti-drill and anti-pick features. Keyed to differ (keyed alike available upon request).



Product Code	Finish	Cylinder Length
EDC1	Black	70mm
EDC2	Satin	70mm

Euro Cylinder & Turn

Designed with a euro cylinder and thumbturn to allow controlled access from one side of the door and easy access from the other. Designed with anti-drill and anti-pick features. Keyed to differ (keyed alike available upon request).



Product Code	Finish	Cylinder Length
ECT1	Black	70mm
ECT2	Satin	70mm

THUMB LATCHES

Typically used on ledge and brace doors in traditional homes. Supplied with 25mm fixings. Suitable for doors up to 50mm thick.



FB112
Flat Black



NFS712
Forged Steel

NEW



THUMBTURNS

Designed for applications where locking is only required from one side of the door e.g. bathrooms. To be installed with a tubular deadbolt. Supplied with 25mm fixings and a 100mm spindle for doors up to 50mm thick.

Thumbturn sets are supplied with a release mechanism to allow the door to be unlocked from the external side of the door in case of emergencies - ideal for households with children or elderly relatives.



Round Rose

Thumbturn Only

FB102
Flat Black



NFS740
Forged Steel



NEW

Thumbturn Set

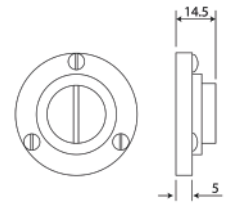
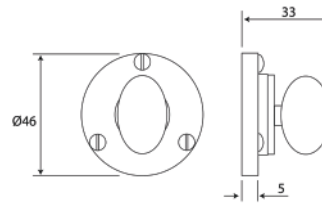
FB100
Flat Black



NFS700
Forged Steel



NEW



Square Rose

Thumbturn Only

FB103
Flat Black



NFS741
Forged Steel



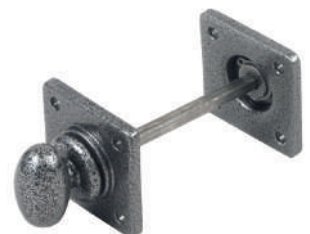
NEW

Thumbturn Set

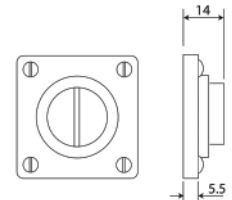
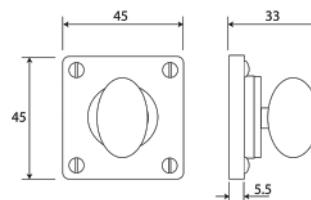
FB101
Flat Black



NFS701
Forged Steel



NEW



ESCUTCHEONS (KEYED)

Keyhole cover to conceal door locks. Supplied with 25mm fixings. To be installed with a keyed deadlock.

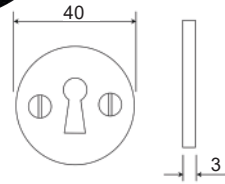


Round Uncovered

NEW

FB113
Flat Black

NFS713
Forged Steel

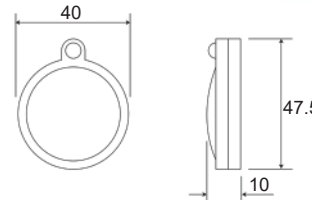
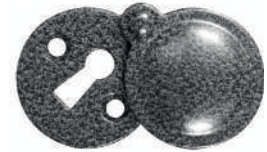


Covered

NEW

FB114
Flat Black

NFS714
Forged Steel

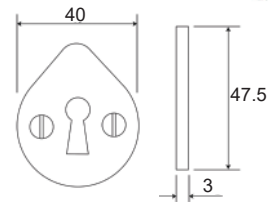


Oval Uncovered

NEW

FB115
Flat Black

NFS715
Forged Steel

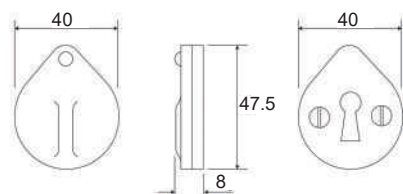


Covered

NEW

FB116
Flat Black

NFS716
Forged Steel



ESCUTCHEONS (EURO)

Euro profile keyhole cover to conceal door locks. Supplied with 25mm fixings. To be installed with a euro deadlock and euro cylinder.

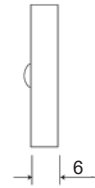
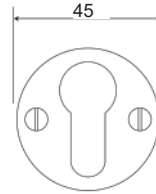


Round Uncovered

FB1090
Flat Black

NFS717
Forged Steel

NEW

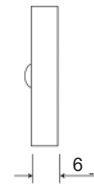
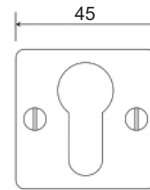


Square Uncovered

FB1091
Flat Black

NFS718
Forged Steel

NEW



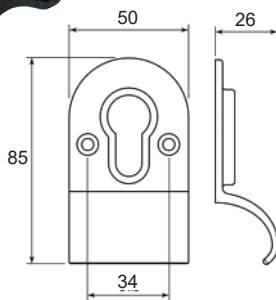
Euro Profile

To be installed with a euro cylinder.

FB1303
Flat Black

NFS1102
Forged Steel

NEW



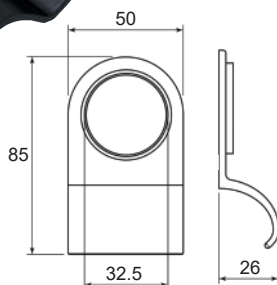
Yale Profile

To be installed with a night latch.

FB1302
Flat Black

NFS1101
Forged Steel

NEW



CYLINDER PULLS

Lock cover to assist in pulling a door closed. Supplied with 25mm fixings.



BOLTS

Traditional style knob bolt designed with a ball bearing system for increased longevity. Can be installed horizontally or vertically. Supplied with 25mm fixings.



Straight Bolt

Ideally suited to flush surfaces.

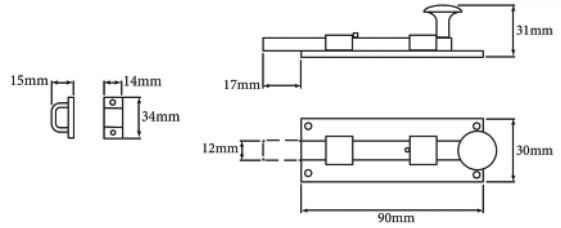
FB122
Flat Black



NFS722
Forged Steel



NEW



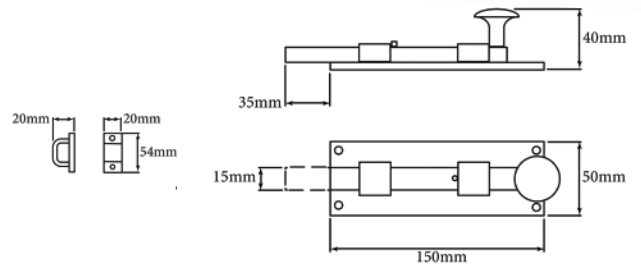
FB123
Flat Black



NFS723
Forged Steel



NEW



Cranked Bolt

Ideally suited to offset surfaces.

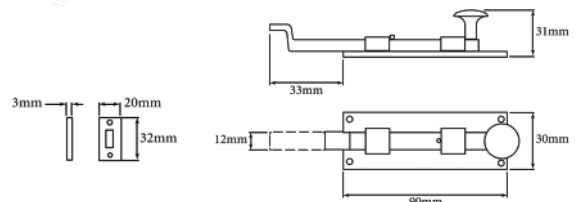
FB124
Flat Black



NFS724
Forged Steel



NEW



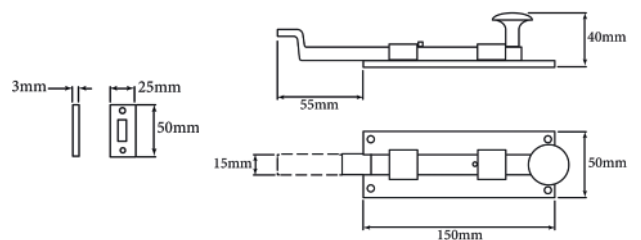
FB125
Flat Black



NFS725
Forged Steel



NEW





GUIDE TO WINDOW HARDWARE



ESPAÑOLETTE HANDLES

Espagnolette handles are a popular choice for uPVC and timber casement windows due to their high levels of security. This product has been designed to be used with a espagnolette window locking system rebated into the window.

Espagnolette handles are available in two designs - universal and cranked. Universal espagnolette handles offer a straight design to be used with all types of windows. Cranked espagnolette handles are available in right hand and left hand options to allow for greater clearance between the window and handle.



CASEMENT STAYS

Typically used on casement windows, casement stays are designed with a stay arm and two locator pins. When the window is open, the pin locates within a hole of the stay arm to hold the window securely in the open position. The stay arm features various holes to allow for adjustment.

When closed, both pins are located within the stay arm. A universal stay locking pin can be purchased for increased security.



CASEMENT FASTENERS

Casement fasteners are typically installed on the horizontal side of a window and allows for the easy opening or closing of casement windows. When closed, the casement fastener arm locates into the hook plate or mortice plate. Available in right hand and left hand locking versions.



WINDOW HARDWARE

ESPAÑOLETTE HANDLES

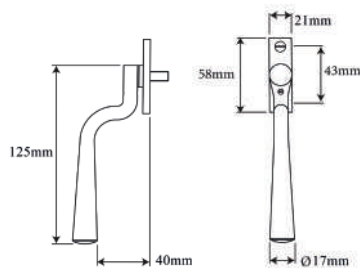
Designed for use with an espagnolette locking system, espagnolette handles are a popular solution for wooden and uPVC windows in modern homes.

Made from forged steel and finished using a unique ARMOR-COAT® process, the Stonebridge range of espagnolette handles offers exceptional corrosion resistance and UV protection. Stonebridge espagnolette handles are supplied with a 40mm spindle and stainless steel fixings. Choose between two designs - universal and cranked.

PADSTOW

FLAT BLACK

FB242
Universal



FORGED STEEL

NFS828
Universal

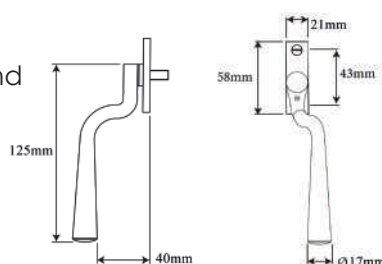


NEW

FB1300L
Left Hand



FB1300R
Right Hand



NFS1100L
Left Hand



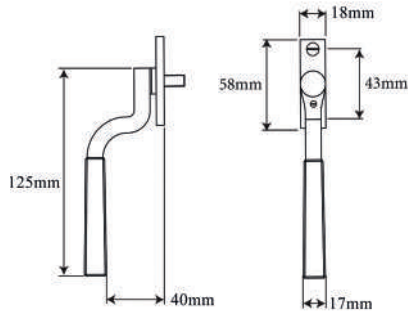
NFS1100R
Right Hand

NEW

ARUNDEL

FLAT BLACK

FB1141
Universal



FORGED STEEL

NFS830
Universal



AVAILABLE
SUMMER
2023

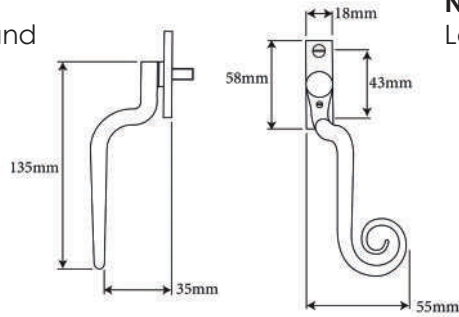
CURL

FLAT BLACK

FB1301L
Left Hand



FB1301R
Right Hand



FORGED STEEL

NFS1201L
Left Hand



NFS1201R
Right Hand



AVAILABLE
SUMMER
2023





CASEMENT STAYS

The Stonebridge range of casement stays are suitable for use with wooden and uPVC windows. Made from forged steel and finished using a unique ARMOR-COAT® process, our range of casement stays offer exceptional corrosion resistance and UV protection. All casement stays are provided with suitable fixings.

Purchase our optional universal stay pin to enhance security in the home - simply replace the standard stay pin with the universal locking pin and use the allen key provided to secure the locking endcap into place.

Please note: Due to moving parts, natural wear and tear may occur on the pin and location holes after prolonged use.

PADSTOW

FLAT BLACK

FB200

Overall Length: 200mm



FB201

Overall Length: 250mm



FB202

Overall Length: 300mm

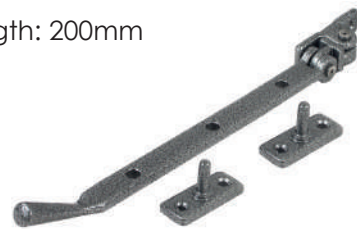


FORGED STEEL

NEW

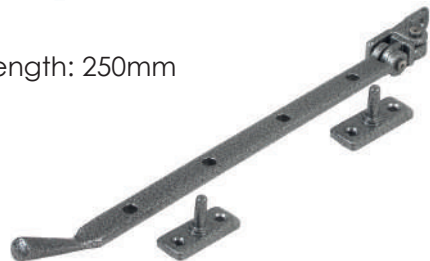
NFS800

Overall Length: 200mm



NFS801

Overall Length: 250mm



NFS802

Overall Length: 300mm



ARUNDEL

FLAT BLACK

FB1135

Overall Length: 200mm



FB1136

Overall Length: 250mm



FB1137

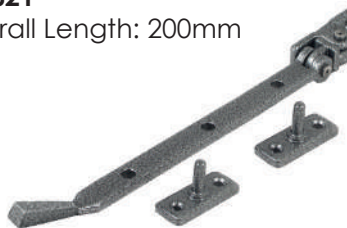
Overall Length: 300mm



FORGED STEEL

NFS821

Overall Length: 200mm



NFS822

Overall Length: 250mm



NFS823

Overall Length: 300mm



AVAILABLE
SUMMER
2023

CURL

FLAT BLACK

FB1081

Overall Length: 200mm



FB1082

Overall Length: 250mm



FB1083

Overall Length: 300mm



FORGED STEEL

NFS1050

Overall Length: 200mm



NFS1051

Overall Length: 250mm



NFS1052

Overall Length: 300mm



AVAILABLE
SUMMER
2023

UNIVERSAL STAY PIN

FB1307
Flat Black



NFS1105
Forged Steel



CASEMENT FASTENERS

Window casement fasteners by Stonebridge Forge have been designed to improve window usability by allowing for the easy opening and closing of the window. Made from a durable based of steel and finished using a unique ARMOR-COAT process, our range of casement fasteners offer excellent corrosion resistance and UV protection.

All Stonebridge casement fasteners are supplied with a handle, mortice plate, hook plate and suitable fixings. Choose between left hand and right hand variants.



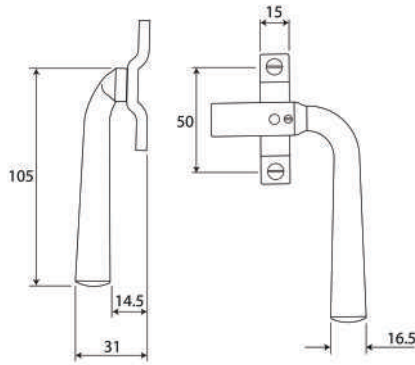
PADSTOW

FLAT BLACK

FB204
Left Hand



FB203
Right Hand



FORGED STEEL NEW

NFS804
Left Hand



NFS803
Right Hand

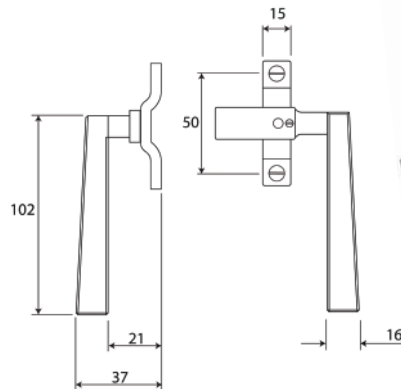
ARUNDEL

FLAT BLACK

FB1139
Left Hand



FB1138
Right Hand



FORGED STEEL

NFS825
Left Hand



NFS824
Right Hand

AVAILABLE
SUMMER
2023

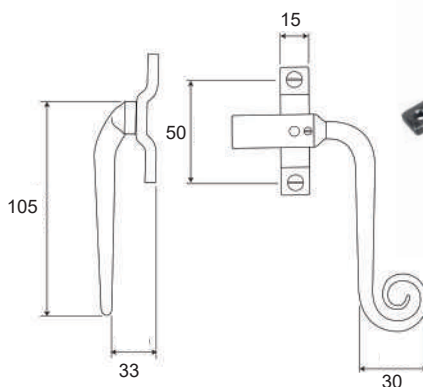
CURL

FLAT BLACK

FB1078L
Left Hand



FB1077R
Right Hand



FORGED STEEL

NFS1048L
Left Hand



NFS1049R
Right Hand

AVAILABLE
SUMMER
2023

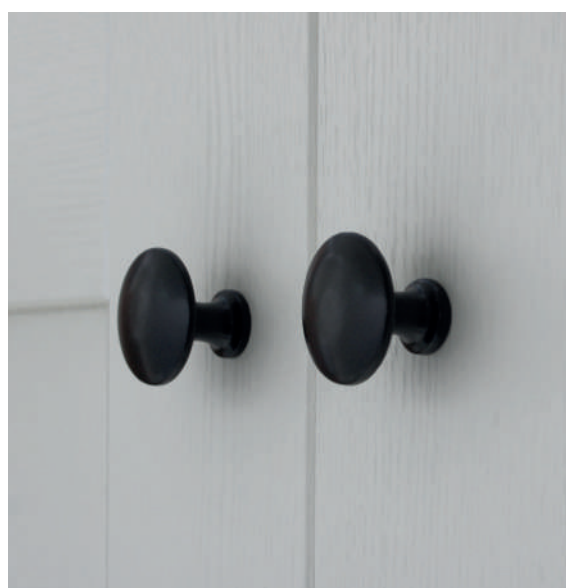
GUIDE TO CUPBOARD HANDLES



PULL HANDLES

Pull handles are a popular choice in all types of kitchens due to their enhanced grip and easy operation. Designed with two fixing points, pull handles can be installed horizontally or vertically to suit kitchen cupboards and drawers.

Pull handles are available in many different lengths to cater for various hole centres. If retrofitting pull handles to an existing kitchen, ensure you measure any pre-existing fixing centres and specify handles of a similar size to hide any previous fixing holes.



CUPBOARD KNOBS

Cupboard knobs are the perfect finishing touch to bring character and charm to kitchens with a minimalistic style. Ideal for kitchen cupboards and drawers, cupboard knobs are designed with one fixing point to allow for quick and easy installation.

CUPBOARD HARDWARE





CUPBOARD KNOBS

Supplied individually with 25mm fixings to cater for doors up to 19mm thick.

ASHTON

FB300
Flat Black
Diameter: 30mm
Projection: 25mm



NFS900
Forged Steel
Diameter: 30mm
Projection: 25mm



NEW

FB301
Flat Black
Diameter: 40mm
Projection: 30mm



NFS901
Forged Steel
Diameter: 40mm
Projection: 30mm



NEW

TAUNTON

FB1092
Flat Black
Diameter: 30mm
Projection: 25mm



NFS1092
Forged Steel
Diameter: 30mm
Projection: 25mm



NEW

FB1093
Flat Black
Diameter: 40mm
Projection: 30mm



NFS1093
Forged Steel
Diameter: 40mm
Projection: 30mm



NEW



PULL HANDLES

Supplied individually with 25mm fixings to cater for doors up to 19mm thick.

SALISBURY

FB1098

Flat Black
Overall Length: 185mm
Fixing Centres: 160mm
Projection: 36mm



NFS958

Forged Steel
Overall Length: 185mm
Fixing Centres: 160mm
Projection: 36mm



NEW

FB1099

Flat Black
Overall Length: 313mm
Fixing Centres: 288mm
Projection: 36mm



NFS959

Forged Steel
Overall Length: 313mm
Fixing Centres: 288mm
Projection: 36mm



NEW

FULFORD

FB1096

Flat Black
Overall Length: 185mm
Fixing Centres: 160mm
Projection: 36mm



NFS956

Forged Steel
Overall Length: 185mm
Fixing Centres: 160mm
Projection: 36mm



NEW

FB1097

Flat Black
Overall Length: 313mm
Fixing Centres: 288mm
Projection: 36mm



NFS957

Forged Steel
Overall Length: 313mm
Fixing Centres: 288mm
Projection: 36mm



NEW



PENNY END PULL HANDLES

Supplied individually with 25mm fixings to cater for doors up to 19mm thick.

FB400

Flat Black
Overall Length: 102mm
Fixing Centres: 100mm
Projection: 30mm



NEW

NFS950

Forged Steel
Overall Length: 102mm
Fixing Centres: 100mm
Projection: 30mm

FB401

Flat Black
Overall Length: 153mm
Fixing Centres: 150mm
Projection: 45mm



NEW

NFS951

Forged Steel
Overall Length: 153mm
Fixing Centres: 150mm
Projection: 45mm

FB402

Flat Black
Overall Length: 206mm
Fixing Centres: 200mm
Projection: 60mm



NEW

NFS952

Forged Steel
Overall Length: 206mm
Fixing Centres: 200mm
Projection: 60mm

Product shown: NFS901 Ashton Forged Steel Cupboard Knob



PRODUCT CARE & MAINTENANCE

GENERAL ADVICE

Care should be taken when fitting Stonebridge ironmongery. We advise drilling a 2mm pilot hole before fitting wood screws. We recommend only fitting Stonebridge ironmongery when all paint and plaster has fully dried as the chemicals used in wet paint and plaster can cause reactions with our products.

The Stonebridge range has been tested to BS EN 1670:2007 Grade 5 to achieve the highest possible corrosion resistance rating. Therefore our products are suitable for use in external and coastal environments. However, we do recommend care when fitting our products in a coastal environment as the salt content may impact the longevity of our products if the surface is compromised during fitting.

All Stonebridge products have been tested and approved for use with Accoya® doors and windows. The Accoya® preparation guidelines must be followed carefully. For more information, please visit the Accoya® website.

MAINTENANCE

We **strongly recommend against** the use of solvent cleaners or household polishes when cleaning our products as this will cause irreversible damage to the surface and may result in discolouration of the product.

Internal Applications - We recommend the occasional cleaning of our products with warm soapy water and buff dry with a soft cloth when used in internal applications.

External Applications - We recommend cleaning our products every 6 months with warm soapy water and buff dry with a soft cloth when fitted externally. This process should be undertaken more frequently in areas up to 15 miles from the coast line to minimise any potential corrosive deposits on the surface.

WARRANTY

Stonebridge products are made from forged steel to offer high quality products free of manufacturing defects and material flaws. In the unlikely event that your Stonebridge product develops a flaw or defect overtime, it is covered by a 5 year warranty in which the product will be refunded, repaired or replaced free of charge.

This warrant is dependent upon the goods being correctly installed and maintained. Any damage caused by wear and tear, incorrect fitting, misuse or accidental damage is not covered by this warranty. Stonebridge are not liable for any consequential loss, labour charges, freight or re-installation expenses from a potentially faulty product.

FITTING ADVICE

Lever Handles

Stonebridge lever handles are supplied with 25mm stainless steel fixings which are colour matched to the product and a 90 x 8 x 8mm spindle to cater for doors up to 50mm thick. A 130mm spindle can be requested upon purchasing for doors up to 90mm thick. Trim spindle to the required size: door thickness + 40mm.

Multipoint Handles

Stonebridge multipoint handles are supplied with M5 x 90mm stainless steel fixings which are colour matched to the product. Trim fixings to the required size: door thickness + 5mm.

Multipoint handles are supplied with two solid steel spindles - 90 x 8 x 8mm to cater for doors up to 50mm and 130 x 8 x 8mm to cater for doors up to 90mm. Trim spindle to the required size: door thickness + 40mm.

Please take care when fitting the split spindle with the threaded hole in the handle. Secure the spindle with the M5 cone point grub screw using the allen key provided. Failure to secure the grub screw correctly can cause the backplate to become damaged in use, voiding warranty.

Window Espagnolette Handles

Stonebridge Espagnolette Handles are supplied with M5 x 50mm stainless steel fixings and an integral 40 x 7 x 7mm spindle. Trim fixings and spindle to size to suit your locking system.

Please note: The M4 grub screw provided enhances security of the handle when locked. A custom allen key is provided to operate the grub screw. Please take care that the grub screw is fully disengaged to avoid damage to the mounting plate when operating the handle.

For our full terms and conditions or delivery/returns policy, please visit www.stonebridgeforge.com.

Image Credit: Mumford & Wood
Product shown: FB006 Padstow Flat Black Multipoint Handle









DJH Group Ltd

Project House, Villa Real, Consett,
County Durham, DH8 6BP

T: +44 (0)1207 500050

E: sales@stonebridgeforge.com

www.stonebridgeforge.com

'Stonebridge' is a trading name of DJH Group Ltd.

